

Title: Eagle in a Rack - Connectors		
Description:		
Designed by: Colin O'Flynn	Date: May 2, 2004	
Checked by: Colin O'Flynn	Doc. No.: 1	Revision: 1.1
Approved by: Colin O'Flynn	Sheet 1 of 8	Size: A

1 2 3 4 5

A

A

B

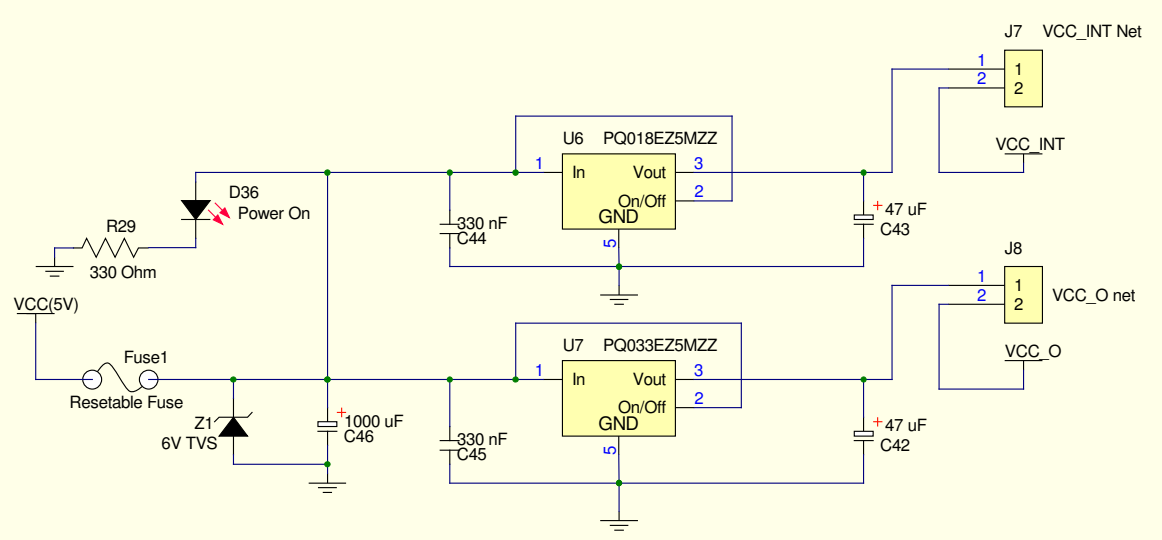
B

C

C

D

D



Title: Eagle in a Board - Voltage Regulators		
Description:		
Designed by: Colin O'Flynn	Date: April 29, 2004	
Checked by: Colin O'Flynn	Doc. No.: 1	Revision: 1.1
Approved by: Colin O'Flynn	Sheet 2 of 8	Size: A

1 2 3 4 5

1

2

3

4

5

A

A

B

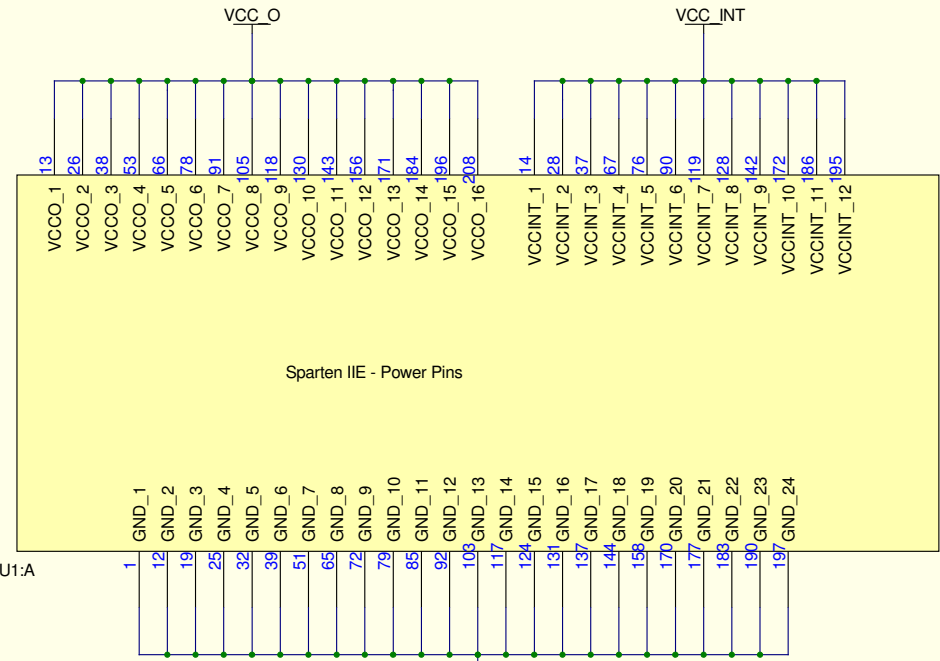
B

C

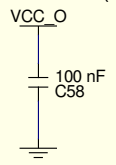
C

D

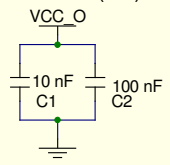
D



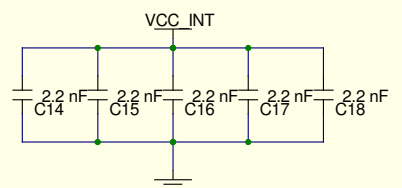
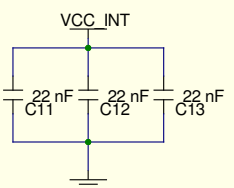
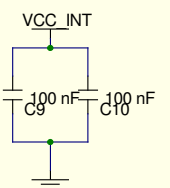
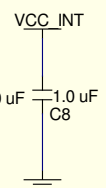
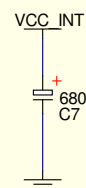
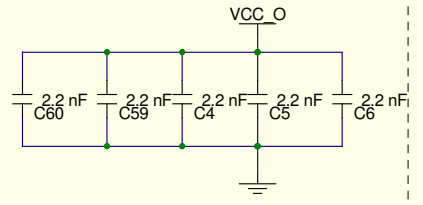
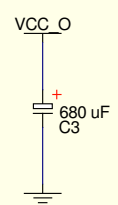
Near MAX3386 (U11)



Near XCF04S (U2)



Near FPGA (U1)  
Based on XPower Data



Title: Eagle in a Board - Power		
Description:		
Designed by: Colin O'Flynn	Date: April 29, 2004	
Checked by: Colin O'Flynn	Doc. No.: 1	Revision: 1.1
Approved by: Colin O'Flynn	Sheet 3 of 8	Size: A

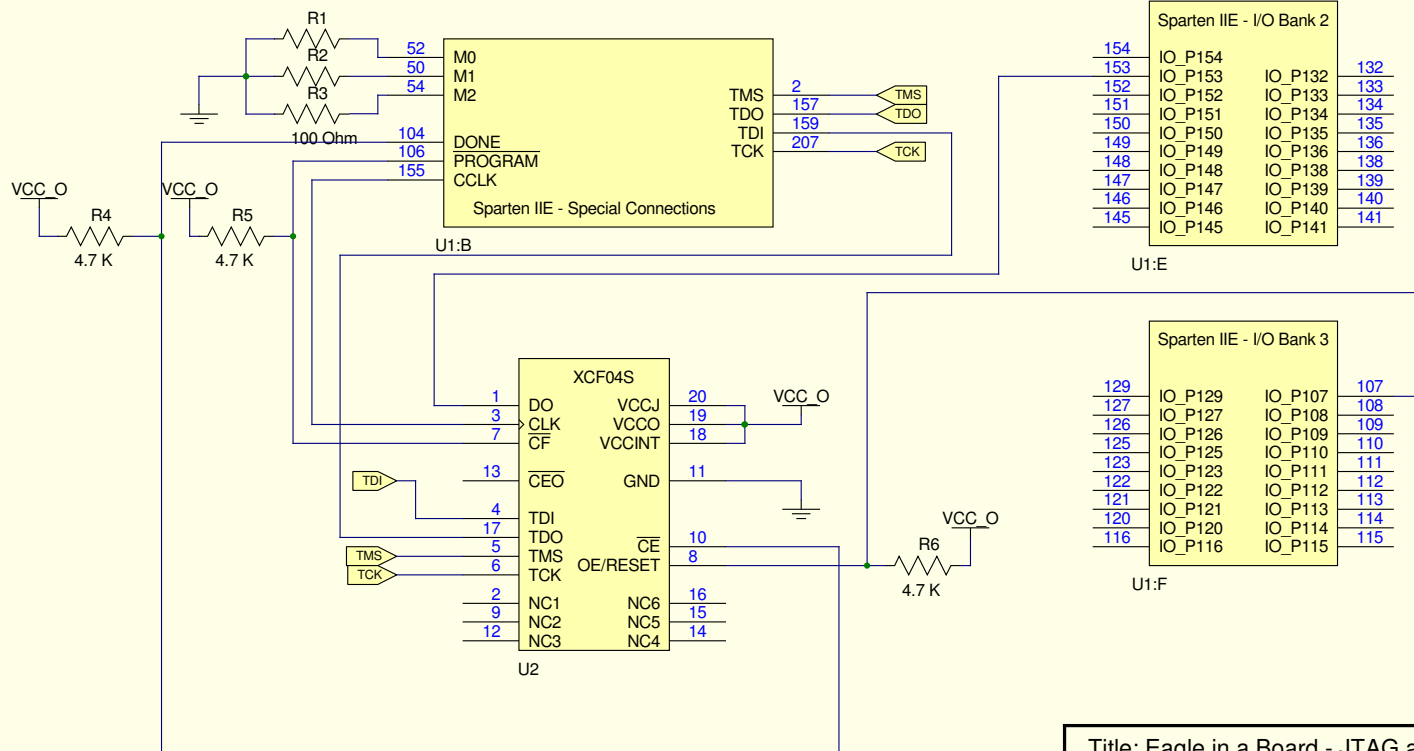
1

2

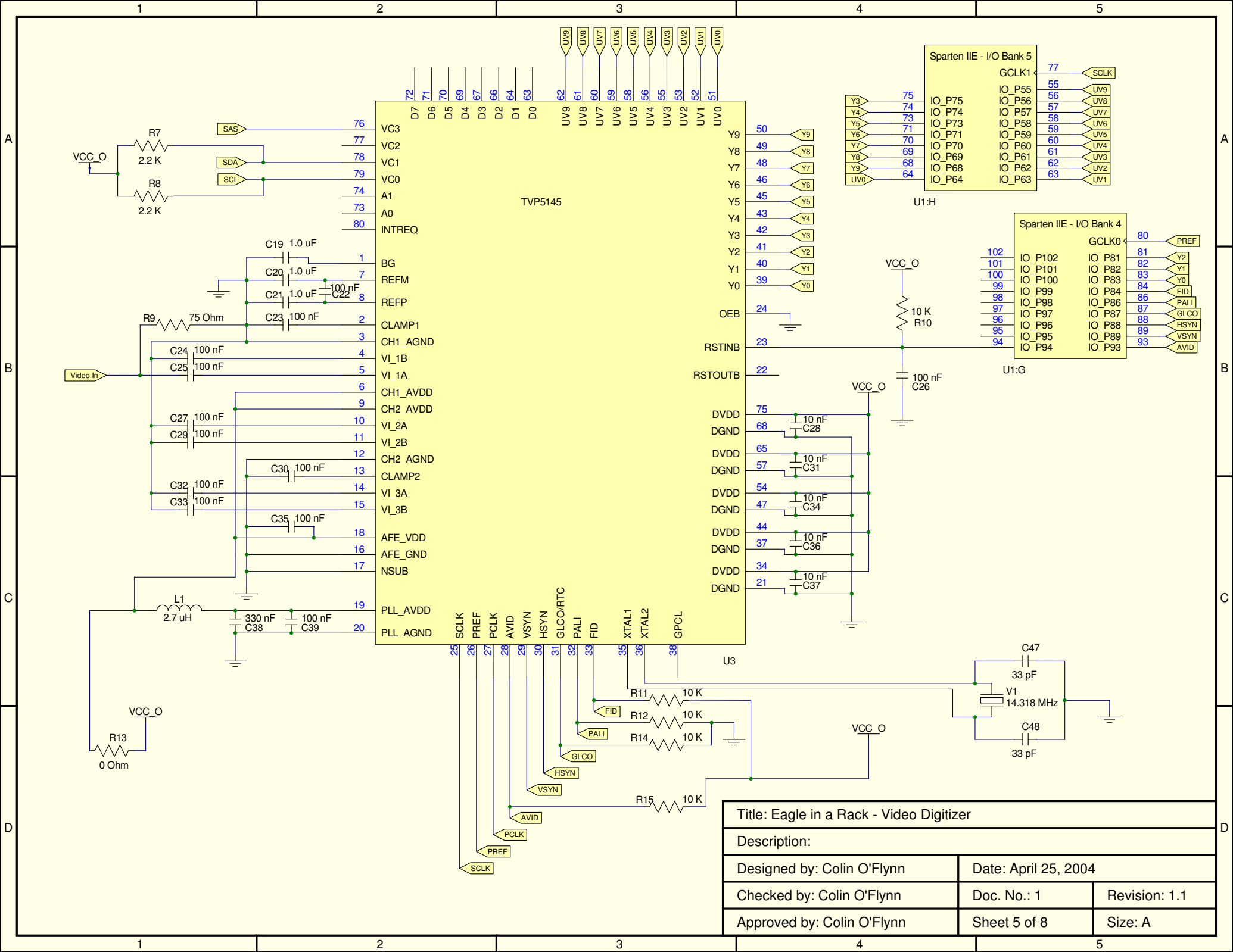
3

4

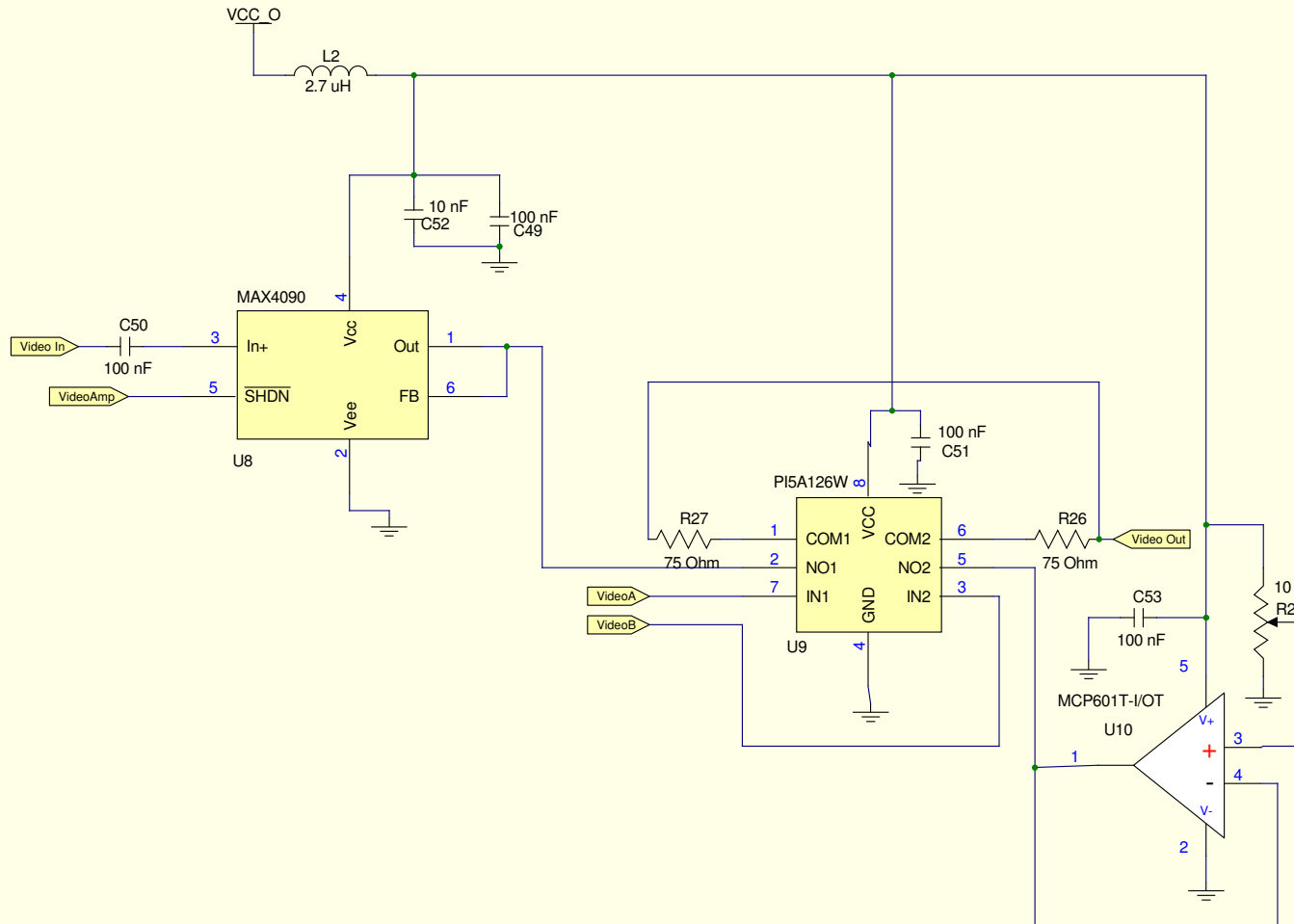
5



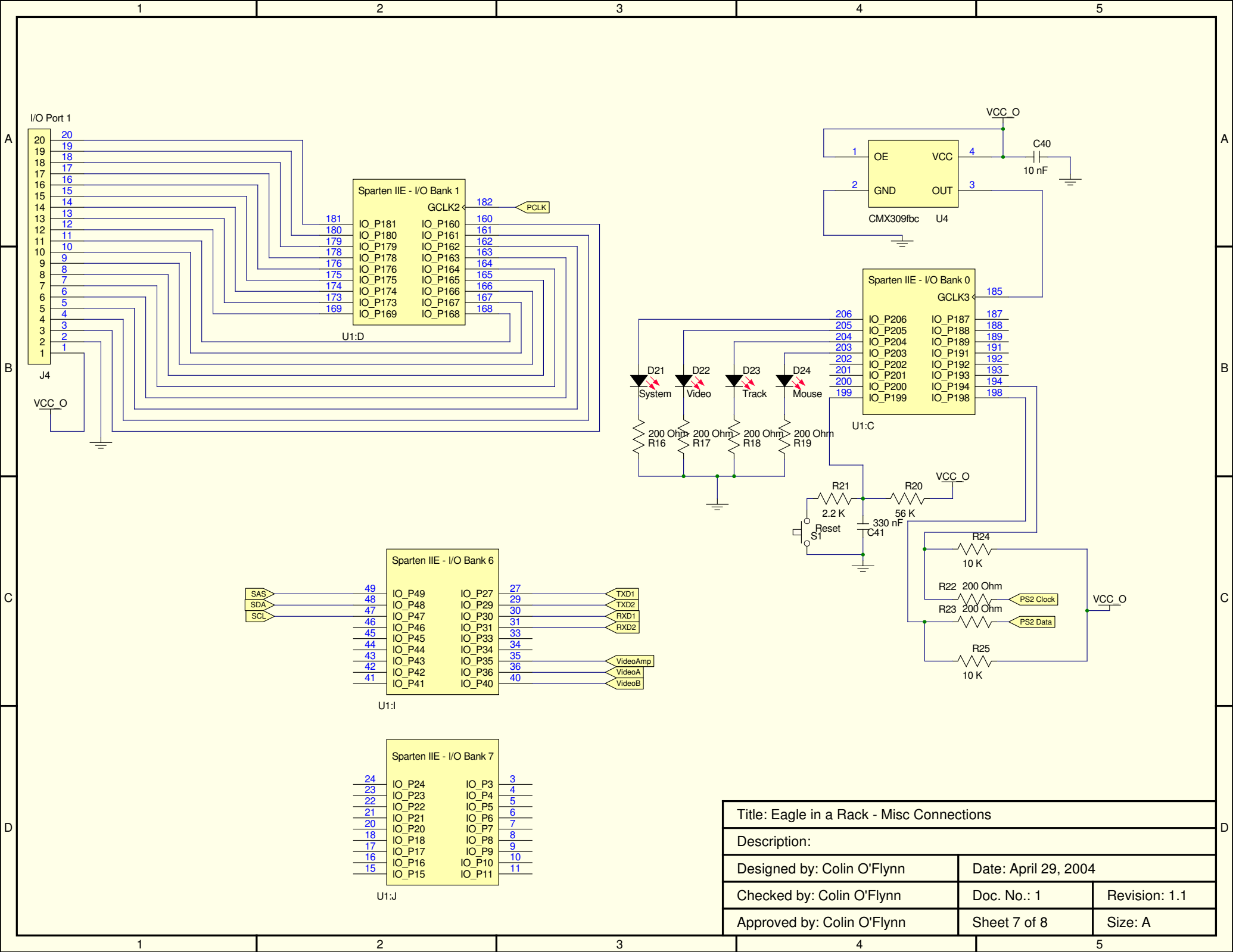
Title: Eagle in a Board - JTAG and Configuration		
Description:		
Designed by: Colin O'Flynn	Date: April 28, 2004	
Checked by: Colin O'Flynn	Doc. No.: 1	Revision: 1.1
Approved by: Colin O'Flynn	Sheet 4 of 8	Size: A



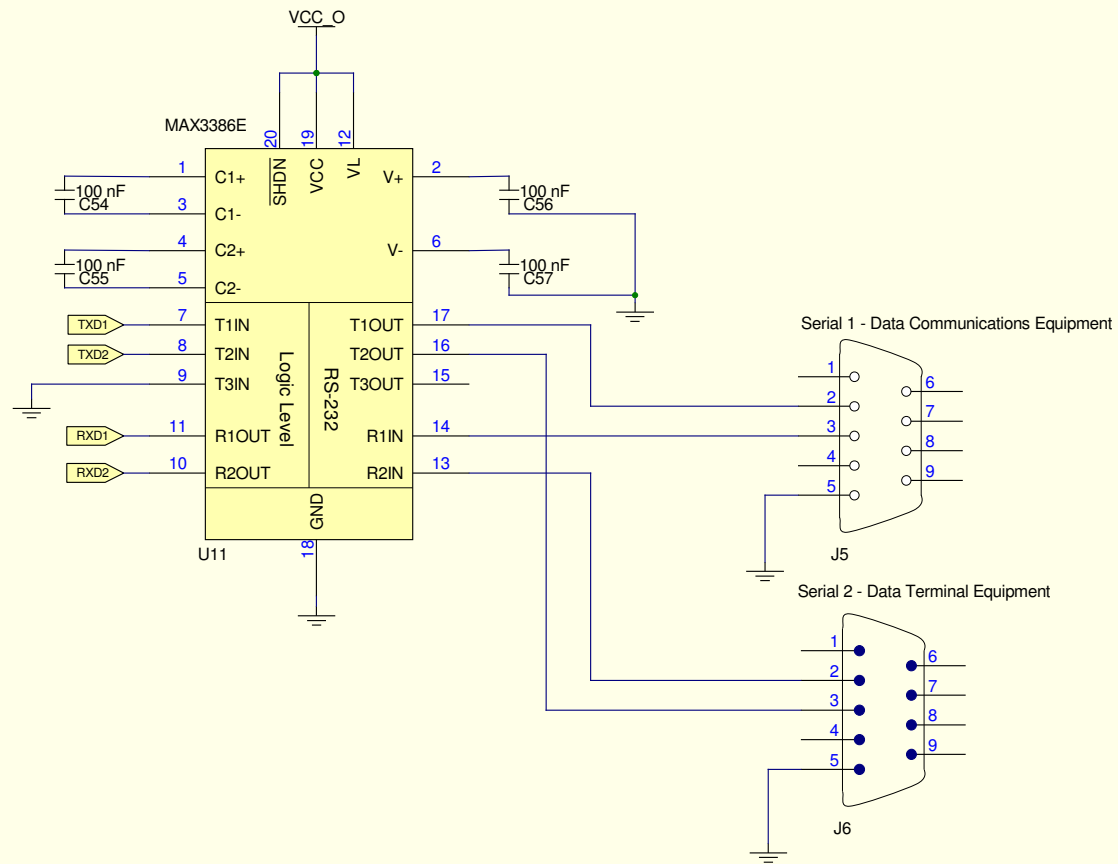
Title: Eagle in a Rack - Video Digitizer		
Description:		
Designed by: Colin O'Flynn	Date: April 25, 2004	
Checked by: Colin O'Flynn	Doc. No.: 1	Revision: 1.1
Approved by: Colin O'Flynn	Sheet 5 of 8	Size: A



Title: Eagle in a Rack - On-Screen Display		
Description:		
Designed by: Colin O'Flynn	Date: April 27, 2004	
Checked by: Colin O'Flynn	Doc. No.: 1	Revision: 1.1
Approved by: Colin O'Flynn	Sheet 6 of 8	Size: A



Title: Eagle in a Rack - Misc Connections		
Description:		
Designed by: Colin O'Flynn	Date: April 29, 2004	
Checked by: Colin O'Flynn	Doc. No.: 1	Revision: 1.1
Approved by: Colin O'Flynn	Sheet 7 of 8	Size: A



Title: Eagle in a Rack - RS232 Level Changer		
Description:		
Designed by: Colin O'Flynn	Date: April 28, 2004	
Checked by: Colin O'Flynn	Doc. No.: 1	Revision: 1.1
Approved by: Colin O'Flynn	Sheet 8 of 8	Size: A